

# KOALA








## L I V I N G

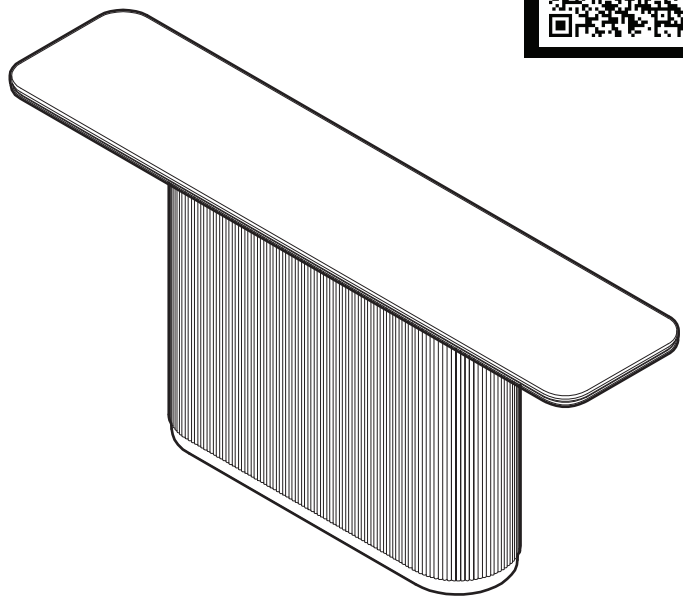
### Assembly Instruction

Product Name: San Pierre Light Brown Ash Veneer Console Table  
Single Leg - Travertine Finish Sintered Stone Top

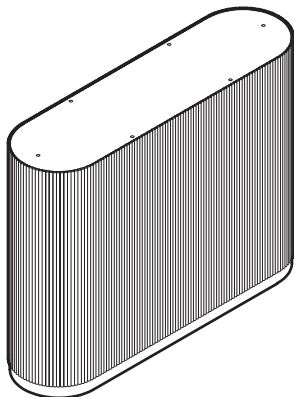
Product Id: 130135

#### Hardware List

A		Allen Key 5mm	1 pc
B		Allen Key 4mm	1 pc
C		Allen Bolt 8*35	6 pcs
D		Washer 8*19	6 pcs
E		Allen Bolt 6*25	4 pcs
F		Washer 6*16	4 pcs
G		Foot Stopper (Already assembled)	6 pcs



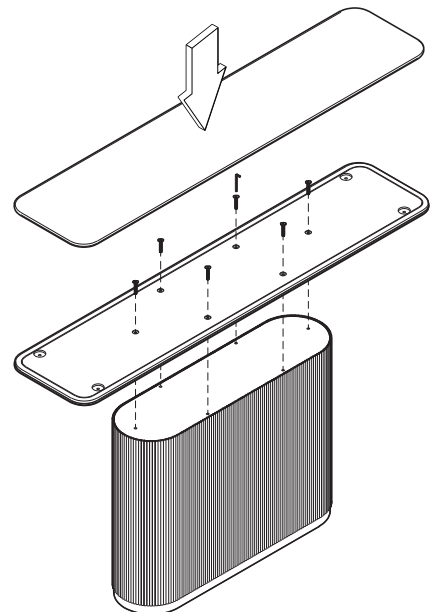
#### Part List



Base  
1 pc



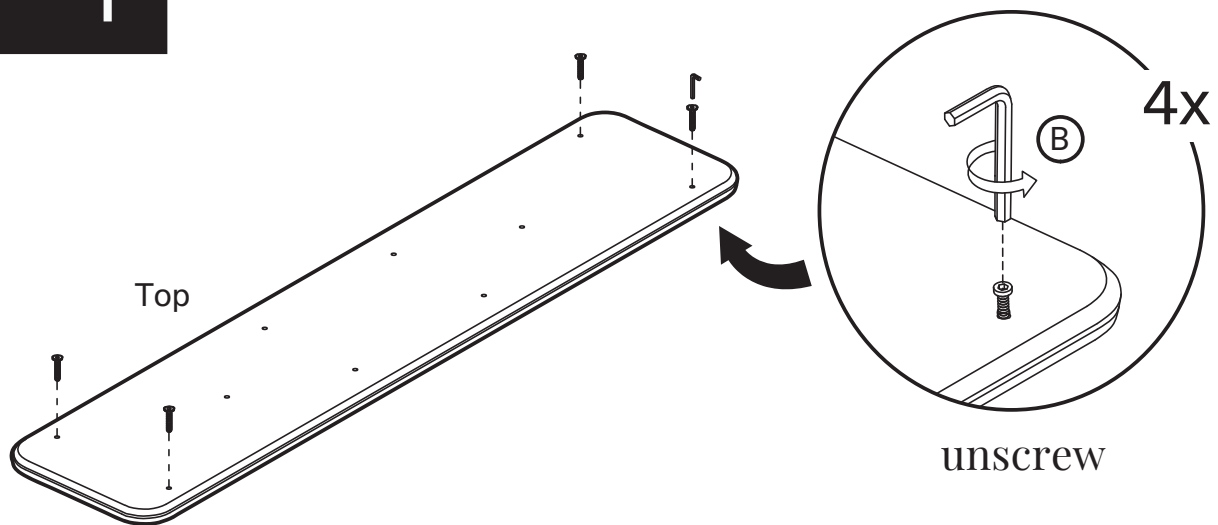
Top  
1 pc



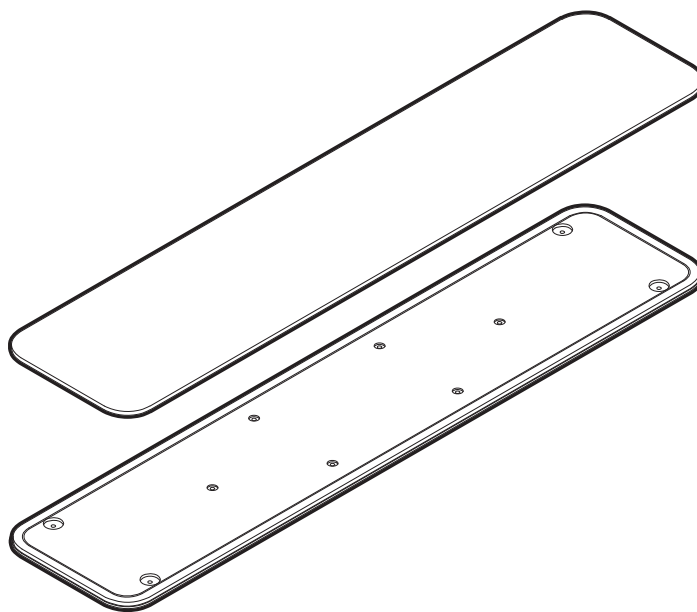
## Note

1. Assemble the item on a soft, well-lit surface like cardboard or carpet.
2. For safety and efficiency, it's best to have two or more people assist with assembly to handle heavy parts safely and collaborate effectively.
3. Keep all packaging materials intact until assembly is complete.
4. Before assembling the item, carefully read all provided instructions.
5. Handle tools with care during assembly to prevent injuries.

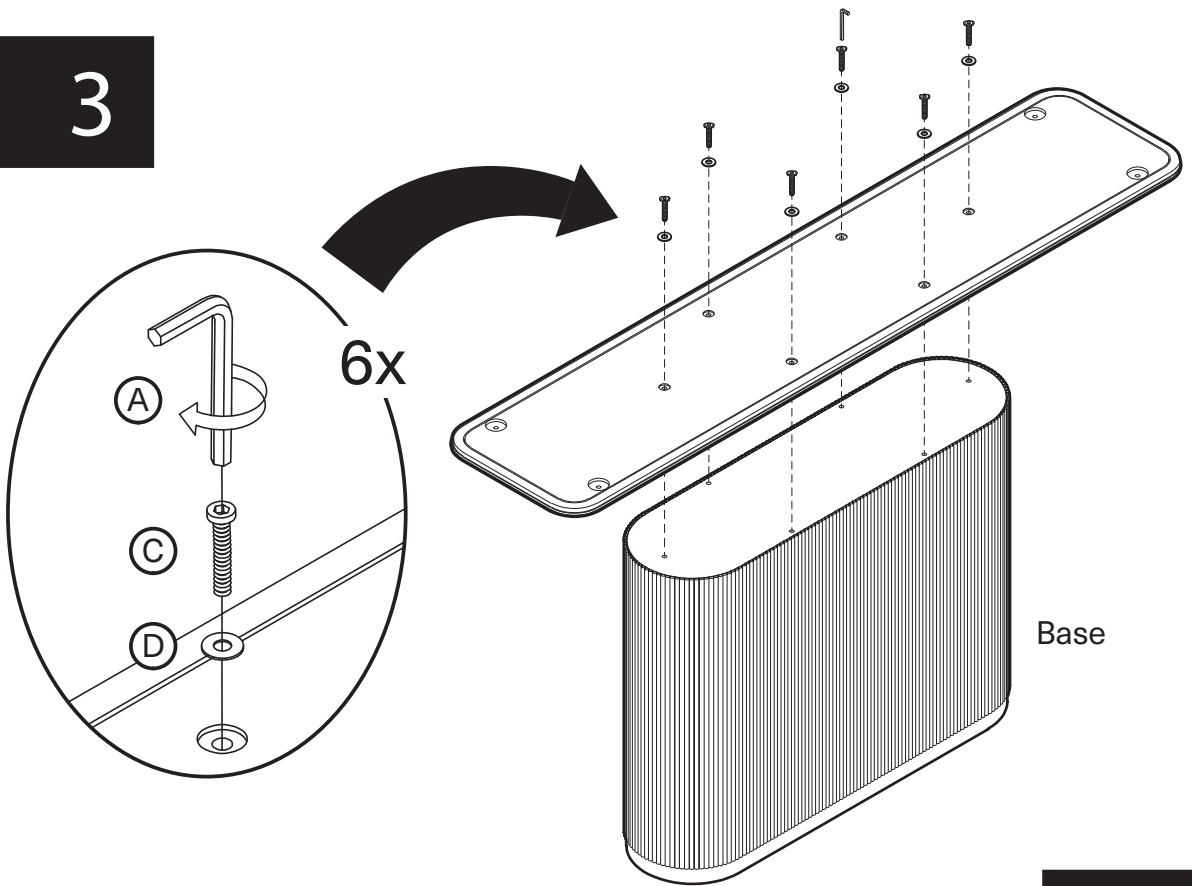
1



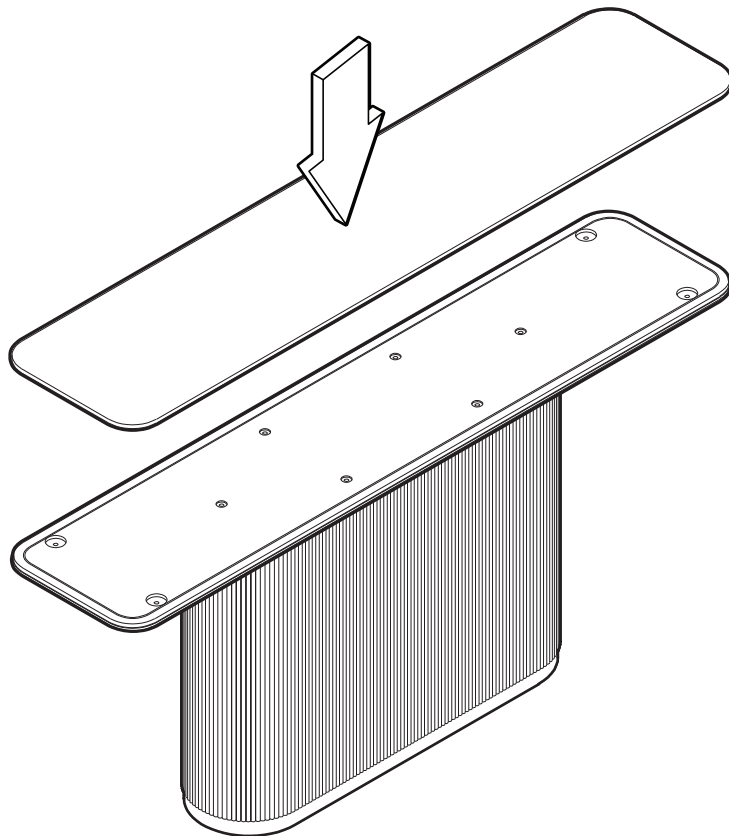
2



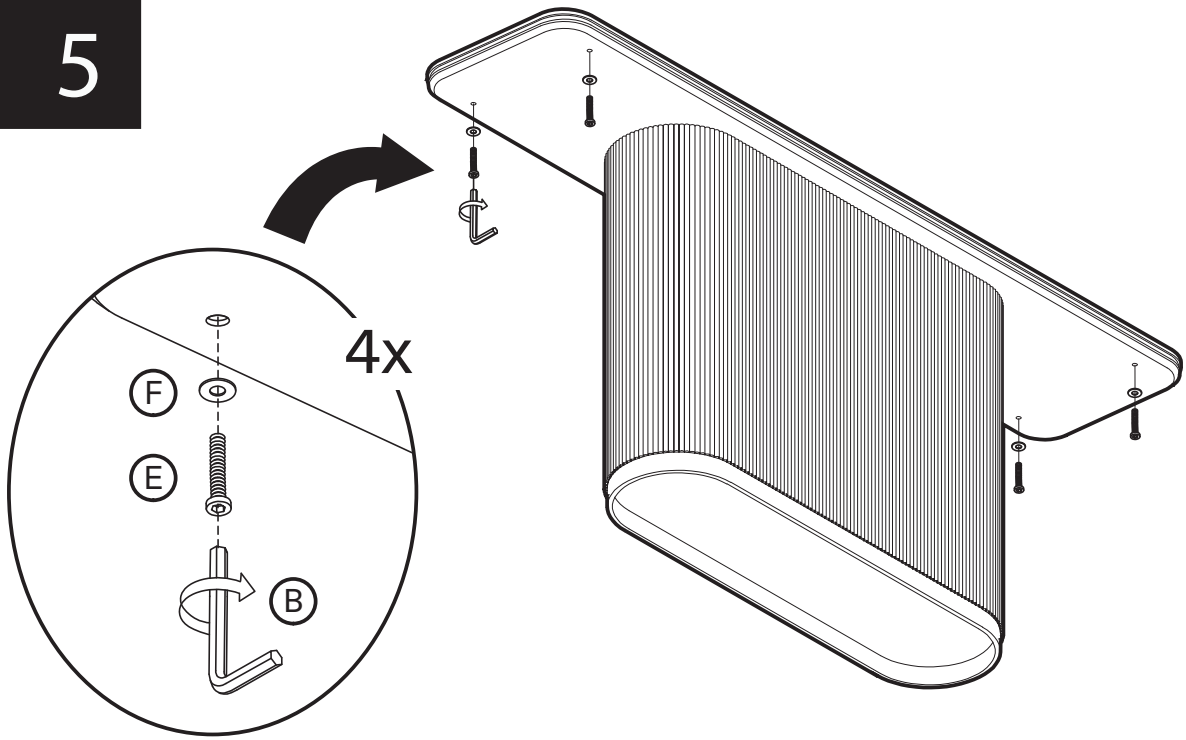
3



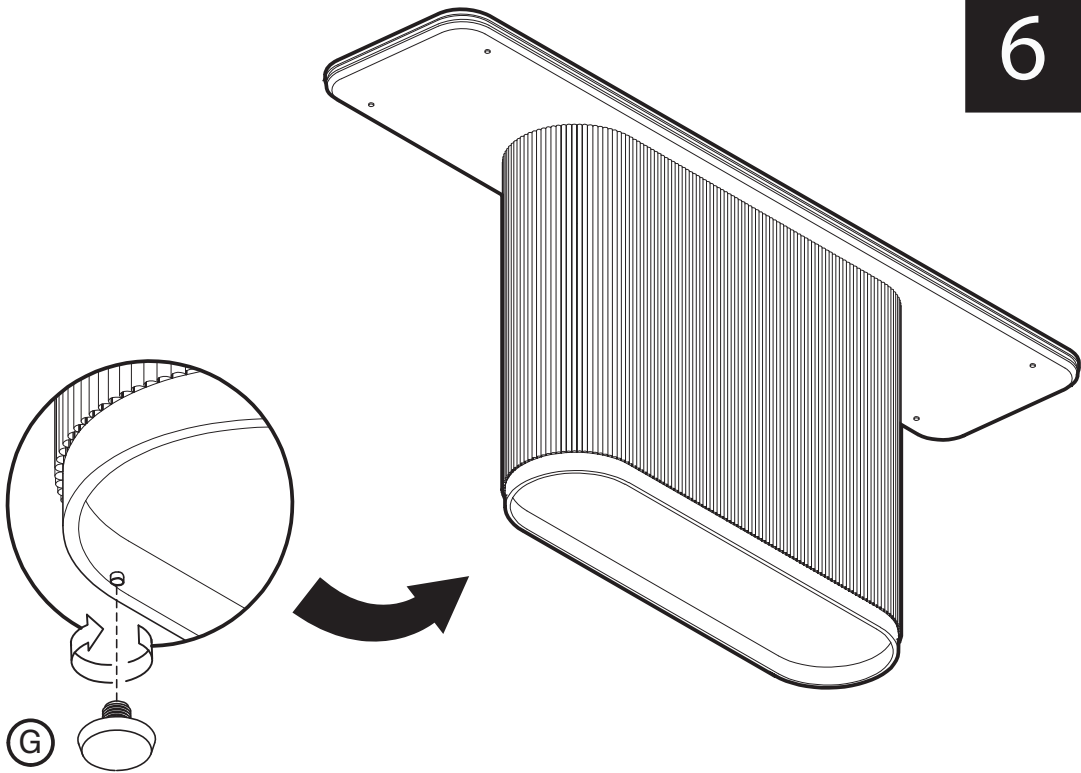
4



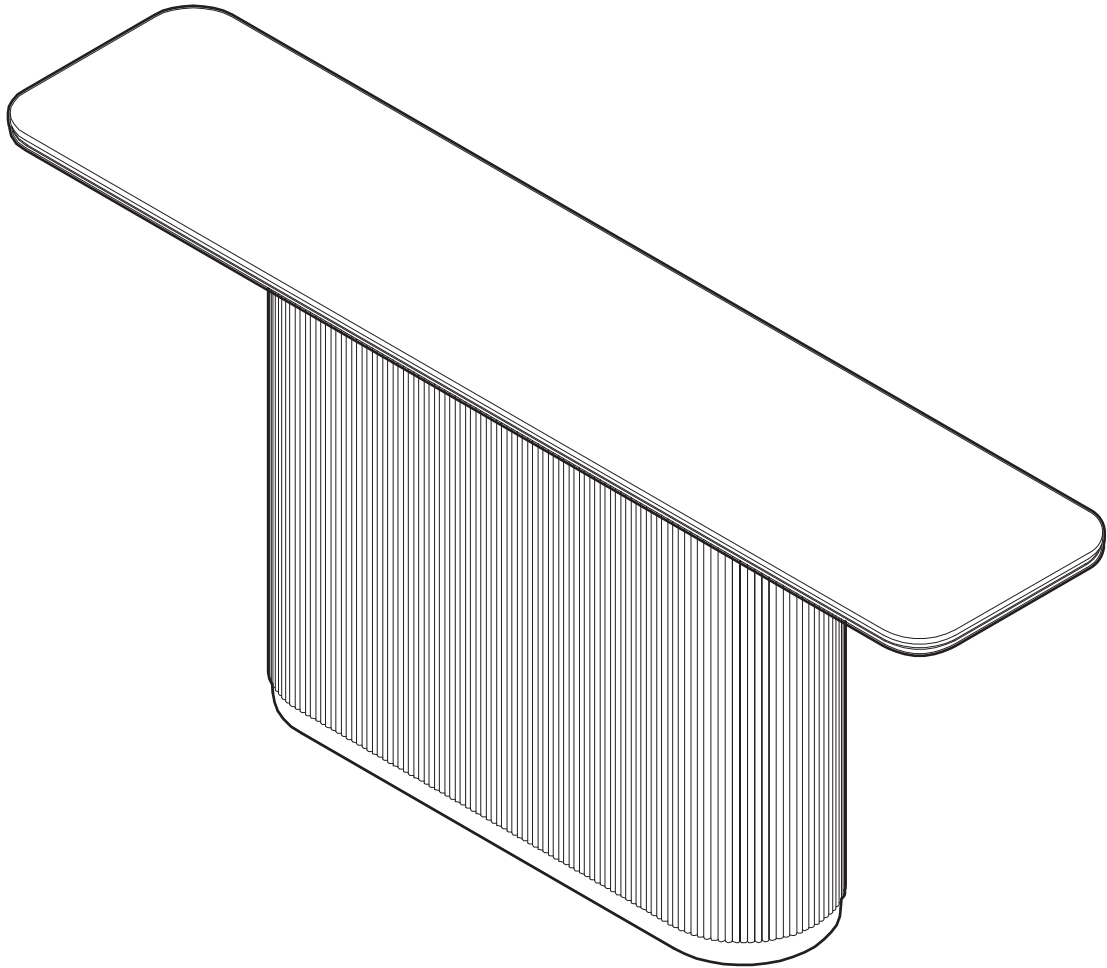
5



6

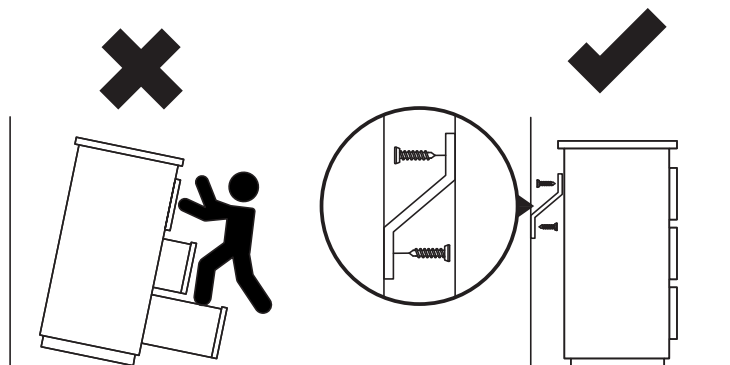


7








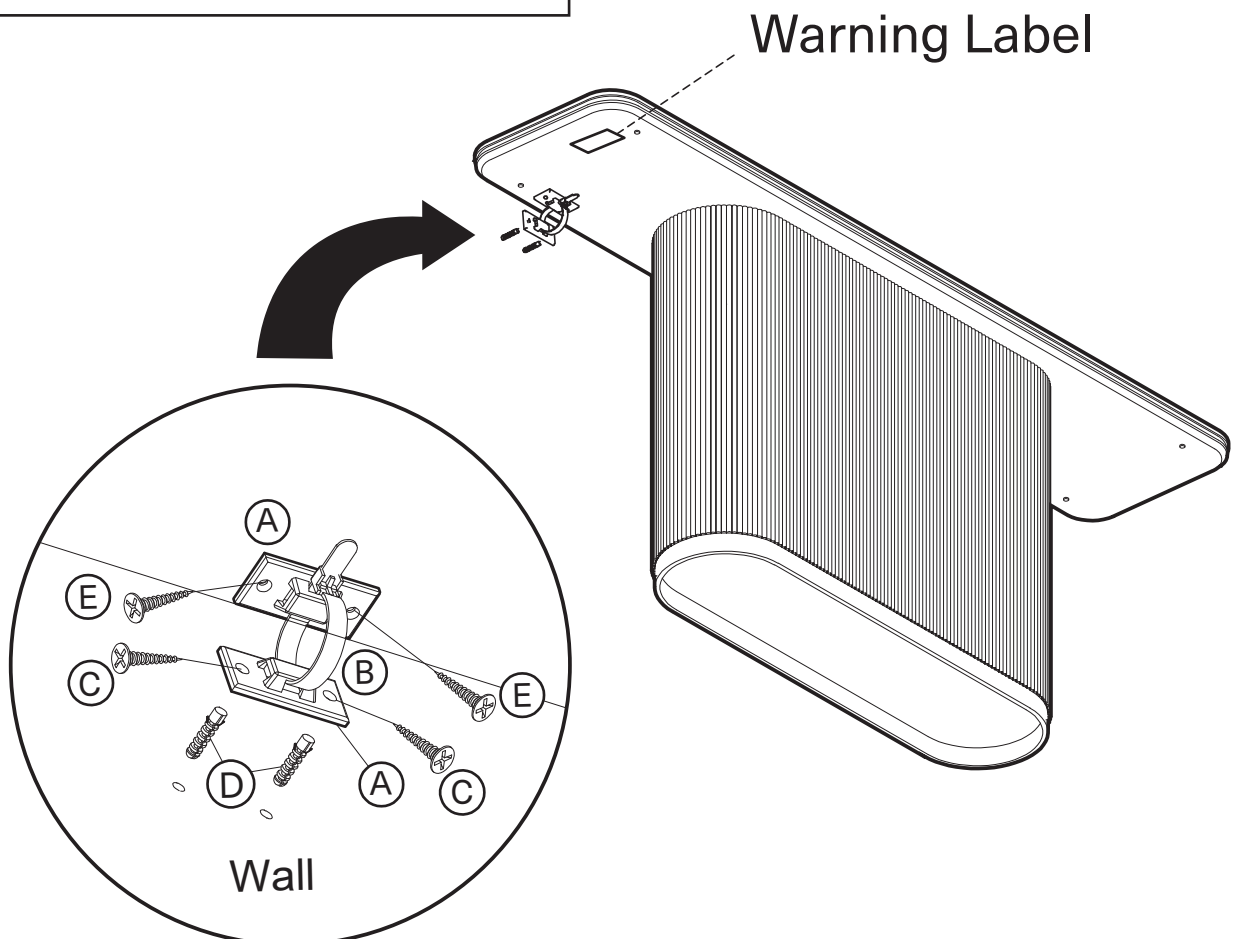
**⚠ Warning**

- ALWAYS secure this furniture with an anchor device
- NEVER allow children to stand, climb or hang on drawers, doors, or shelves
- ALWAYS secure your television with an anchor device



## Anti-Tip Fixing Kit Assembly Instruction

A		Allen Rubber base	4 pcs
B		Allen releasable tie	2 pcs
C		Allen set screws M4*35mm	4 pcs
D		Allen piastic button	4 pcs
E		Allen set screws M4*16mm	4 pcs



If the Anti-Tip Fixing kit is not completed, this voids any warranty