

# KOALA




## L I V I N G

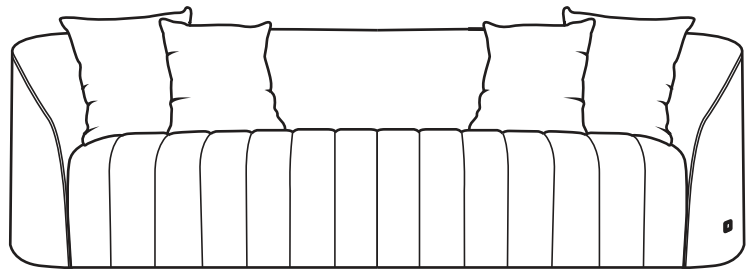
### Assembly Instruction

Product Name: Ava Cream Fabric 3-Seater Sofa

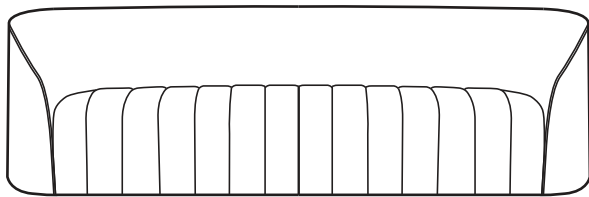
Product Id: 127639

#### Hardware List

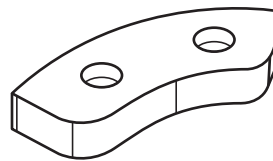
- A  Allen Key  
5x66X23mm 1 pc
- B  Allen Bolt  
M8x50mm 9 pcs
- C  Washer  
M9xØ16x1.5mm 9 pcs



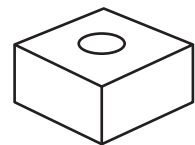
#### Part List



3 Seater Sofa  
1 pc



Leg  
4 pcs

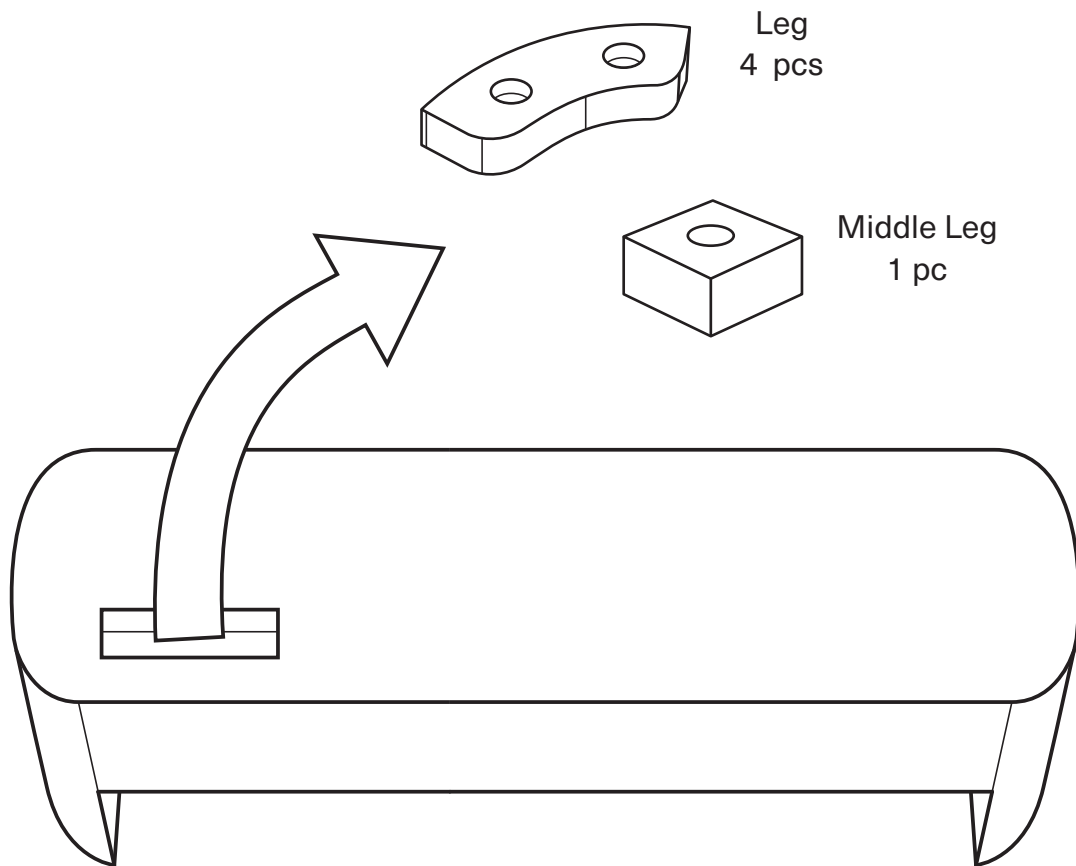


Middle Leg  
1 pc

## Note

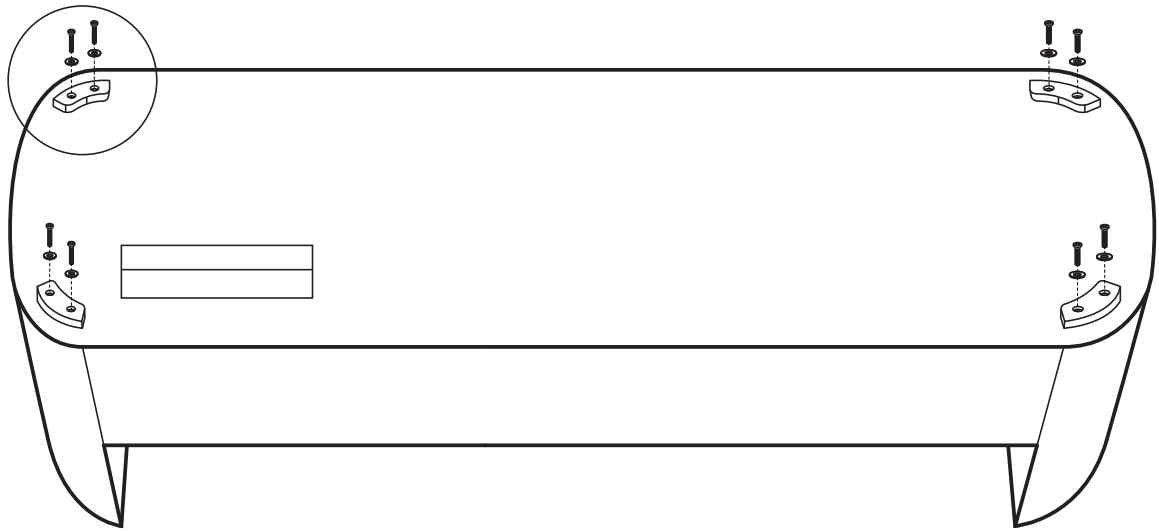
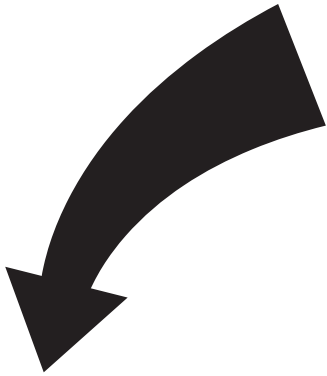
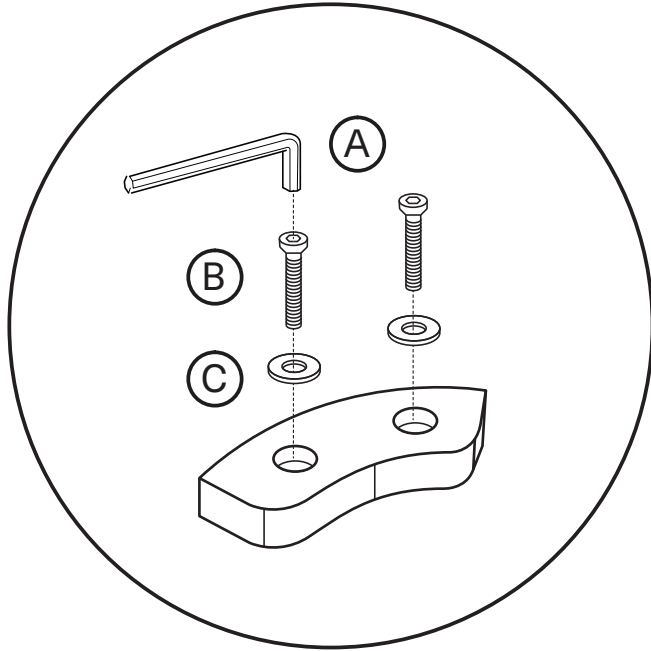
1. Assemble the item on a soft, well-lit surface like cardboard or carpet.
2. For safety and efficiency, it's best to have two or more people assist with assembly to handle heavy parts safely and collaborate effectively.
3. Keep all packaging materials intact until assembly is complete.
4. Before assembling the item, carefully read all provided instructions.
5. Handle tools with care during assembly to prevent injuries.

1

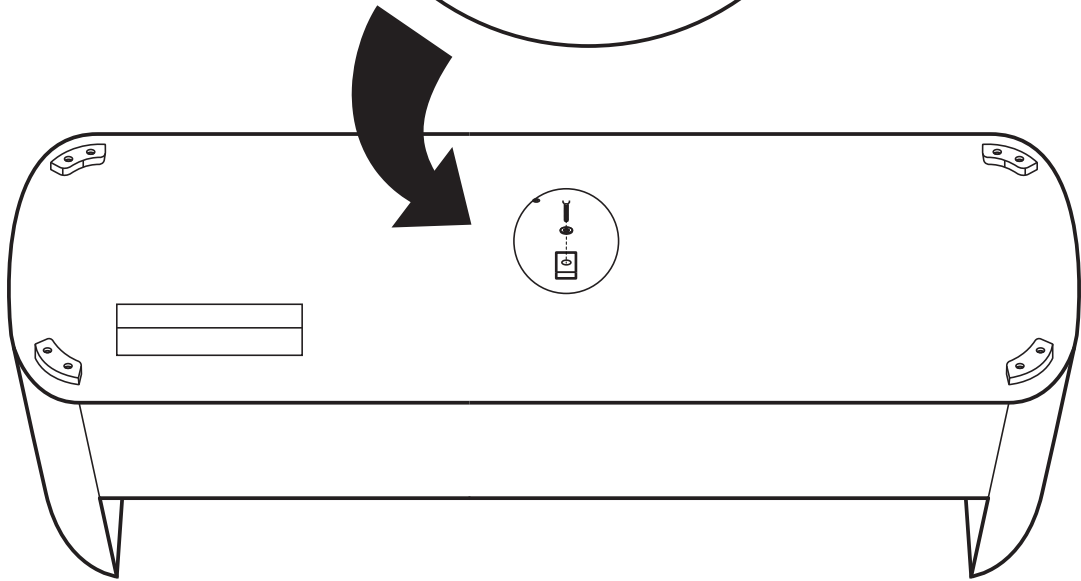
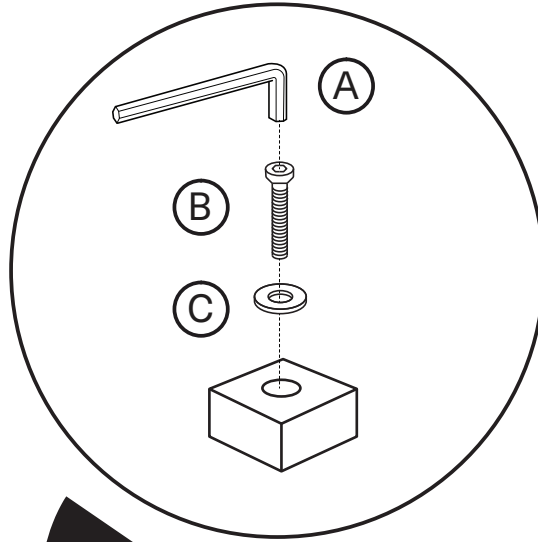


Take out the legs from the sofa bottom pocket

2



3



4

